

BOSSY CURVED CREMONE

Functions

Cremones for curtain walls with 90° (one-way) and opening/closing positioning notch.

Online data sheet



Technical Features

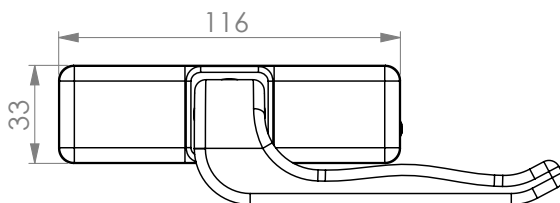
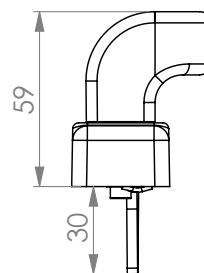
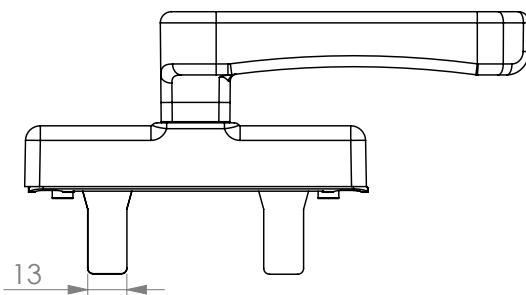
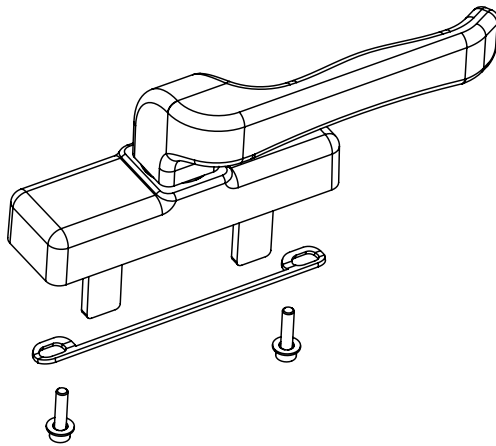
The use of high quality die-cast materials and the BOSSY painting system guarantee excellent mechanical performance, together with colour uniformity and good abrasion resistance.

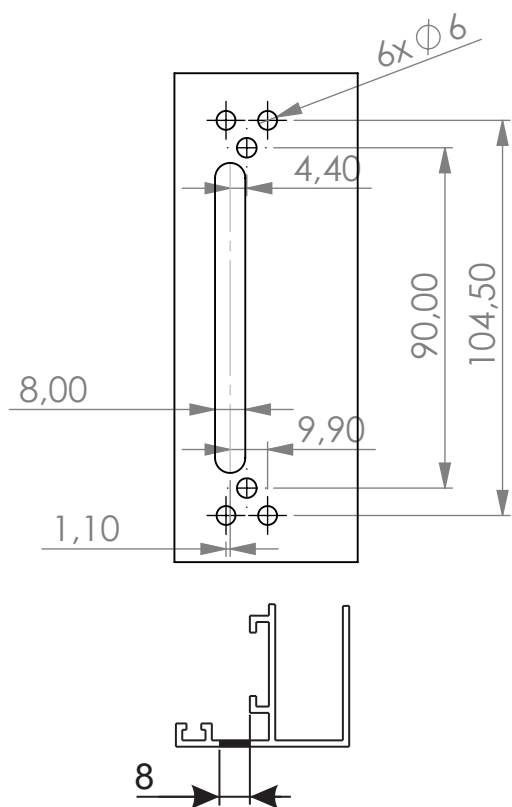
BOSSY cremones are designed for installation with C/C distance 98 mm, but can easily be adapted for fixing with a C/C distance of 104 mm and 84 mm. The special form of the pull handle makes it easy to insert the hand, thus allowing the handling of large-size sashes.

Materials

Handle in die-cast aluminium
Cremones case, gear, racks and sliding parts in die-cast zamak.

Offset block and plate in die-cast zamak
Hostaform internal sheathing
Spring, screw and fixing plate in stainless steel





Item code	Description	Version	Hand	C/C distances	Operation	Pull handle 0°	Pull handle 90°	Base Raw	Anodised Elox	Painted	Trend/Gold Brass	Pieces per pack
321013-3	BOSSY CURVED CREMONE		rx	104 - 98 - 84	One - Way	Closed	open	X		X		5