

BOSSY FRICTION STAY



Functions

Pair of self-balancing arms (one right and one left) able to bear the weight of a top hung window and hold it in the open position.

Online data sheet



Technical Features

BOSSY friction stay are suitable for medium to large size/weight top-hung windows (see table).

Since the upper part of the arm is asymmetrical, within the pair of arms we will have a right and a left; this asymmetrical geometry of the arm improves the return and closing phases.

BOSSY friction stay may be frictioned by way of the grub screw on the slider and, depending on the model, you can choose also the maximum sash opening angle (see table).

To make operable fixtures with different dimensions and weights to those indicated in the table, please call the BOSSY technical service.

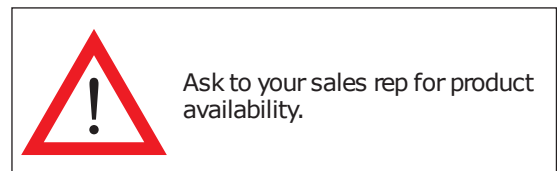
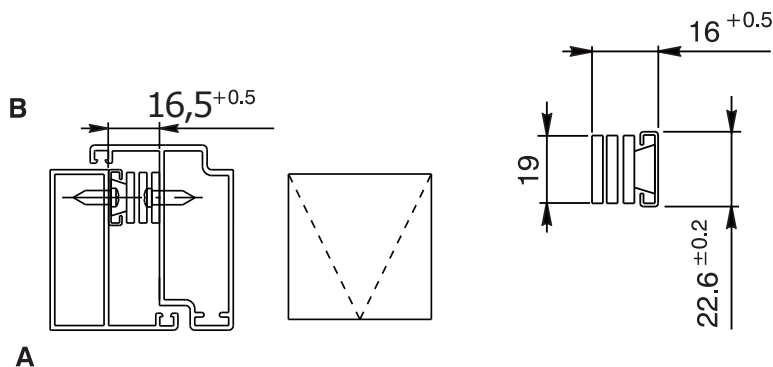
BOSSY friction stay, depending on the version, provide micrometric height adjustment.

BOSSY friction stay are tested by BOSSY for up to life-time 25.000 cycles.

Applicability

BOSSY friction stay arms are applicable to sets of profiles with a stack (sash/frame distance) of 16.5 - 17 mm.

Top Hung (A: internal, B: external)

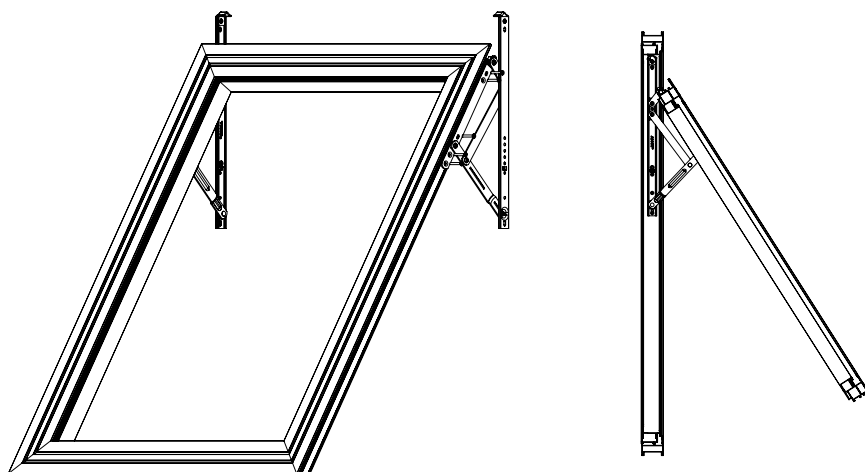


Ask to your sales rep for product availability.

Materials

AISI 304 stainless steel arm

Slider in polyamide and 304 grade stainless steel



Item code	Description	PROFILE CROSS-SECTION	Permitted type of opening	Bag width (mm)	Arm thickness (mm)	Arm length (mm)	Opening angles	Top Hung maximum height (mm)	Top Hung maximum width (mm)	Top Hung Maximum Weight (kg)
211007	BOSSY - 10"	-	Top	23	16,5+0,5	261	35°	700	1200	50
211208	BOSSY - 12"	-	Top	23	16,5+0,5	317	30°/35°	800	1200	60
211410	BOSSY - 14"	-	Top	23	16,5+0,5	353	30°/35°	1000	1300	69,5
211612	BOSSY - 16"	-	Top	23	16,5+0,5	414	30°/35°	1200	1400	88,5
211814	BOSSY - 18"	-	Top	23	16,5+0,5	458	25°/30°	1400	1400	102
212016	BOSSY - 20"	-	Top	23	16,5+0,5	511	25°/30°	1600	1500	135
212217	BOSSY - 22"	-	Top	23	16,5+0,5	556	20°/25°	1700	1500	137
212418	BOSSY - 24"	-	Top	23	16,5+0,5	602	20°/25°	1800	1500	139
212820	BOSSY - 28"	-	Top	23	16,5+0,5	707	10°/15°/20°	2000	1500	155